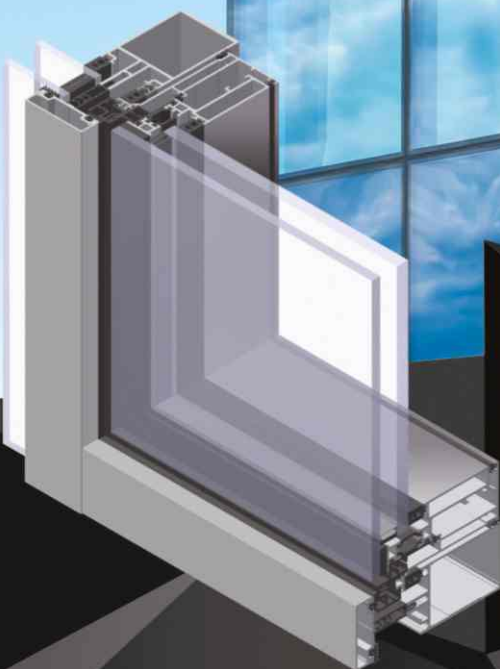


MC PW

MC PARALLEL WINDOW



A parallel window system used to design window which are positioned in parallel to facade when opened. The system is provided with thermal insulation. The parallel window is a solution based on the MC Wall facade system. With this solution, uniform appearance of the aluminium-glass wall can be maintained when the window is opened. When the sash moves on the facade, an interesting architectural effect is obtained.

MC PW

A parallel window system used to design windows which are positioned in parallel to facade when opened.

MC PW is a three chamber system with thermal insulation. It is optional to use additional insulating components to improve thermal aspects of the structure (under-glass inserts, inserts between thermal separators).

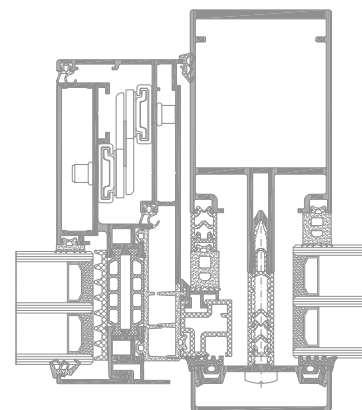
The sash is moved outwards using special scissors mechanism adapted to that purpose. The arrangement of scissors mechanisms and their number depends on the window sash size and glass weight. The scissors mechanism can be used together with multi-point hardware locking points suitable for the overall dimensions, which significantly improves window tightness.

The window can be opened manually using two opposite handles or electrically by means of special servo-motors suitable for that purpose.

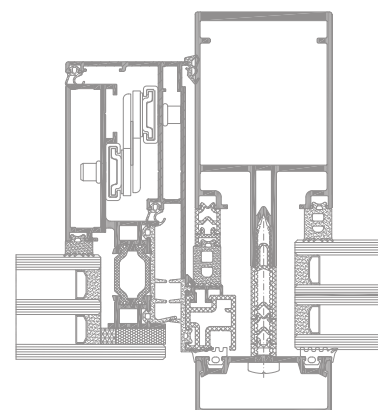
The MC PW windows can be designed as top-hung (the lower part is lifted outwards).

The system ensures optimum ventilation in the room. Once moved out, the sash enables free airflow in both directions: inwards and outwards. Compared to traditional windows, this solution offers more optimum air circulation and much better comfort of use.

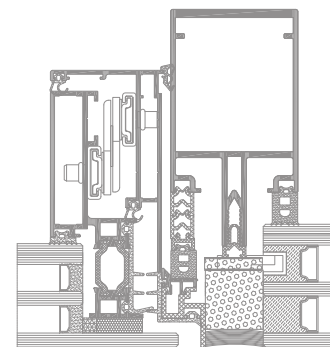
Wide range of colours – RAL palette (Qualicoat 1518), texture colours, Aliplast Wood Colour Effect (wood-like colours), Aliplast Loft View – colours imitating stone surfaces (Qualideco PL-0001), anodized colour (Qualanod 1808), bi-colour.



MC PW cross section



MC PW cross section



MC PW cross section

TECHNICAL SPECIFICATION

SYSTEM	DEPTH OF FRAME	DEPTH OF LEAF	GLAZING RANGE	MAXIMUM SIZES	TYPE OF WINDOW	TYPE OF GLAZING
MC PW	117 mm	98-115,3 mm	24-46 mm	2215 x 3634 mm	parallel window	structural, glazing strip

PERFORMANCE

SYSTEM	THERMAL INSULATION Uf *	AIR PERMEABILITY	WINDLOAD RESISTANCE	WATERTIGHTNESS
MC PW	Uf from 1,65 W/m ² K	Class 4; EN 12207	C5 (2000 Pa); EN 12210	E2400 (2400 Pa); EN 12208

* Thermal insulation is dependent on a combination of profiles and thickness of the filling.